

ARV Series Mini VRF Systems 8 - 33.5KW



Parallel Combination

25.2, 28 & 33.5KW Mini VRF Systems can be used in parallel for increased capacity and more flexibility in project design.



Wide Temperature Operation

The MINI ARV system operates reliably even at an external temperature of -22°C in heating mode and +52°C in cooling mode.



7 Level Power Limit

The Mini ARV has energy-saving features, including power limiting from 40% to 100%, while optimizing output according to ambient temperature changes.



Precise Temperature Control

Super low frequency operation at 1Hz offers precise control to 0.1°C sensitivity and energy savings surpassing 25%, ensuring comfort while optimizing efficiency.



Refrigerant PCB Cooling

The PCB is cooled by refrigerant, It has a higher heat dissipation efficiency compared to air cooling Even in the high temperature of 55 degrees in summer, It can still operate at optimum capacity.



Auto Commissioning

This feature simplifies system calibration, saves time for technicians, minimizes errors, and optimizes performance for energy efficiency and comfort in conditioned spaces.



Tenant Billing Solution

Our VRF tenant billing solution simplifies billing processes for multi-tenant environments, providing accurate and efficient tracking of individual energy usage.



Remote Monitoring

Our web-based monitoring software offers real-time insights and remote management capabilities, providing a user-friendly interface for seamless monitoring and control of various processes.

Specifications

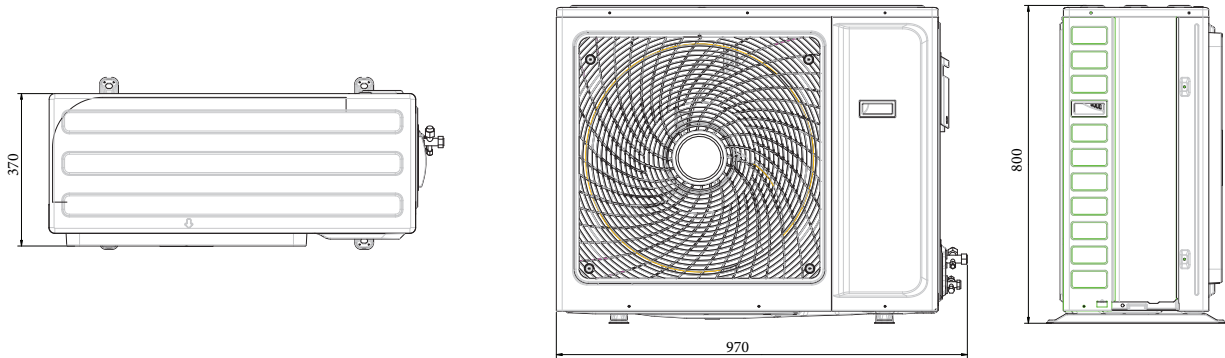
Model			ARV-H80/NR1A	ARV-H100/NR1A	ARV-H120/SR1DCS7	ARV-H140/SR1DCS7	ARV-H160/SR1DCS7
Power Supply		V~,Hz,Ph	220~240,50/60,1	220~240,50/60,1	380~415,3N~50/60	380~415,3N~50/60	380~415,3N~50/60
Cooling	Capacity	kW	8.0	10.0	12.3	14.0	16.0
	Input	kW	2.00	2.55	3.25	4.11	4.66
	EER	W/W	4.00	3.92	3.78	3.41	3.43
	SEER	W/W	6.00	6.05	6.10	6.10	6.10
	Rated current	A	9.10	11.60	5.09	6.44	7.30
Heating	Capacity	kW	9.00	12.00	14.0	16.0	18.0
	COP	W/W	4.62	4.04	4.11	3.90	3.56
	SCOP	W/W	3.80	3.80	4.10	4.00	4.00
	Input	kW	1.95	2.97	3.41	4.10	5.05
	Rated current	A	8.90	13.50	5.34	6.42	7.91
Max. Input Consumption		KW	3.9	4.4	5.20	7.05	7.05
Max. Current		A	18.0	20.0	9.80	11.30	11.30
DC Inv. Compressor	Brand	/	GMCC	GMCC	GMCC	GMCC	GMCC
	Input	W	2065	2065	2765	3380	3380
	Operating Frequency	Hz	12~120	10~120	12~120	12~120	12~120
Outdoor Fan Motor	Type	/	DC Inv	DC Inv	DC Inv	DC Inv	DC Inv
	Quantities	/	1	1	2	2	2
	Output Power	W	95	95	100	100	100
	Brand	/	WEILING	WEILING	Panasonic	Panasonic	Panasonic
	Speed	r/min	630	630	760	760	760
Outdoor Coil	Number Of Row	/	2	2	2	2	2
	Fin Material	/	Hydrophilic aluminum fin	Hydrophilic aluminum fin	Hydrophilic aluminum fin	Hydrophilic aluminum fin	Hydrophilic aluminum fin
	Tube Outside Dia.	mm	φ7, Inner grooved	φ7, Inner grooved	φ7, Inner grooved	φ7, Inner grooved	φ7, Inner grooved
Air Flow Volume		CFM	2412	2412	4235	4235	4235
		m ³ /h	4100	4100	7200	7200	7200
Noise Level		dB(A)	54	54	56	57	57
Dimension (W×D×H)	Net	mm	970×370×800	970×370×800	940×340×1320	940×340×1320	940×340×1320
	Packing	mm	1105×495×890	1105×495×890	1080×430×1440	1080×430×1440	1080×430×1440
Weight	Net	kg	60	60	101	103	103
	Gross	kg	64.5	64.5	111	113	113
Refrigerant type/Quantity	Type	/	R410A	R410A	R410A	R410a	R410a
	Charged Volume	kg	2.90	2.90	3.60	4.10	4.10
Refrigerant Piping	Liquid Side	mm	9.52(3/8)	9.52(3/8)	9.52(3/8)	9.52(3/8)	9.52(3/8)
	Gas Side	mm	15.88(5/8)	15.88(5/8)	19.05 (3/4)	19.05 (3/4)	19.05 (3/4)
	Max. Length	m	40	40	150	150	150
	Max. Height	m	20	20	50	50	50
Ambient Temperature Range (Cooling/Heating)		°C	-15~49/-15~27	-15~49/-15~27	-15~49/-15~27	-15~49/-15~27	-15~49/-15~27
Wiring specification	Power wiring (ODU)	mm ²	3×4	3×4	5×1.5	5×1.5	5×1.5
	A.B signal wiring (to IDU)	mm ²	2×0.2	2×0.2	2×0.2	2×0.2	2×0.2

Specifications

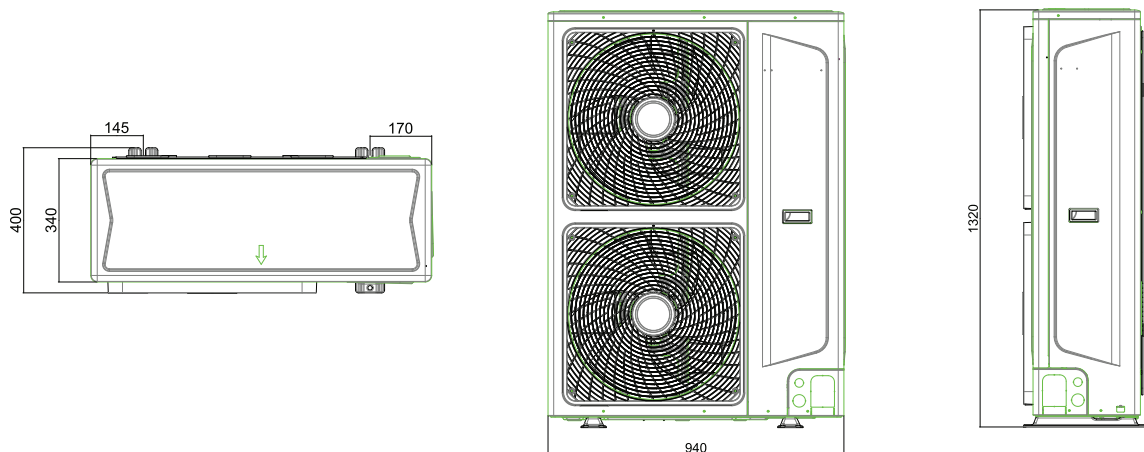
Model			ARV-H220/SR1DCS7	ARV-H260/SR1DCS7	ARV-H252/NR1A	ARV-H280/NR1A	ARV-H335/NR1A
Power Supply		V~,Hz,Ph	380~415,3N~50/60	380~415,3N~50/60	380~415,3N~50/60	380~415,3N~50/60	380~415,3N~50/60
Cooling	Capacity	kW	22.4	26.0	25.2	28.5	33.5
	Input	kW	6.80	7.60	5.75	7.50	7.95
	EER	W/W	3.29	3.42	4.38	3.80	4.21
	SEER	W/W	5.90	5.50	/	/	/
	Rated current	A	11.10	12.40	9.37	12.60	13.40
Heating	Capacity	kW	24.5	28.5	27.00	31.5	37.50
	COP	W/W	4.15	4.19	4.78	4.70	4.78
	SCOP	W/W	3.80	3.75	/	/	/
	Input	kW	5.90	6.80	5.65	6.70	7.85
	Rated current	A	9.60	11.10	9.50	11.40	13.30
Max. Input Consumption		KW	11.0	12.0	14.30	14.50	15.20
Max. Current		A	18.0	21.0	23.00	23.30	24.00
DC Inv. Compressor	Brand	/	Mitsubishi	Mitsubishi	Panasonic Wanbao	Panasonic Wanbao	Panasonic Wanbao
	Input	W	6270	6270	6665	6665	6665
	Operating Frequency	Hz	10~120	10~120	20~100	20~100	20~100
Outdoor Fan Motor	Type	/	DC Inv	DC Inv	DC Inv	DC Inv	DC Inv
	Quantities	/	2	2	2	2	2
	Output Power	W	100	100	100	100	100
	Brand	/	WOLONG ELECTRIC GROUP CO.,LTD.	WOLONG ELECTRIC GROUP CO.,LTD.	WOLONG ELECTRIC GROUP CO.,LTD.	WOLONG ELECTRIC GROUP CO.,LTD.	WOLONG ELECTRIC GROUP CO.,LTD.
	Speed	r/min	870	870	870	870	870
Outdoor Coil	Number Of Row	/	2.5	2.5	2	2	2.5
	Fin Material	/	Hydrophilic aluminum fin	Hydrophilic aluminum fin	Hydrophilic aluminum fin	Hydrophilic aluminum fin	Hydrophilic aluminum fin
	Tube Outside Dia.	mm	φ7, Inner grooved	φ7, Inner grooved	φ7, Inner grooved	φ7, Inner grooved	φ7, Inner grooved
Air Flow Volume		CFM	6474	6474	6474	6474	9000
		m3/h	11000	11000	11000	11000	15300
Noise Level		dB(A)	62	62	43-57	43-57	43-58
Dimension (W×D×H)	Net	mm	1120×400×1540	1120×400×1540	1120×400×1540	1120×400×1540	1120×400×1540
	Packing	mm	1270×560×1710	1270×560×1710	1270×560×1710	1270×560×1710	1270×560×1710
Weight	Net	kg	160	160	145	145	152
	Gross	kg	175	175	155	155	162
Refrigerant type/Quantity	Type	/	R410A	R410A	R410A	R410A	R410A
	Charged Volume	kg	6.50	6.50	7.00	7.00	8.50
Refrigerant Piping	Liquid Side	mm	9.52(3/8)	9.52(3/8)	12.7(1/2)	12.7(1/2)	12.7(1/2)
	Gas Side	mm	22.22(7/8)	22.22(7/8)	22.22(7/8)	22.22(7/8)	22.22(7/8)
	Max. Length	m	250	250	560	560	560
	Max. Height	m	50	50	50	50	50
Ambient Temperature Range (Cooling/Heating)		°C	-15~49/-15~27	-15~49/-15~27	-15~55/-20~24	-15~55/-20~24	-15~55/-20~24
Wiring specification	Power wiring (ODU)	mm2	5×6	5×6	5×4	5×6	5×6
	A.B signal wiring (to IDU)	mm2	2×0.2	2×0.2	2×0.2	2×0.2	2×0.2

Dimensions

— **8KW, 10KW** AUX-ARV MINI-8/O, AUX-ARV MINI-10/O



— **8KW, 10KW, 12KW, 14KW, 16KW** AUX-HPWH32MB-8/I, AUX-HPWH32MB-10/I, AUX-HPWH32MB-12/I, AUX-HPWH32MB-14/I, AUX-HPWH32MB-16/I,



— **8KW, 10KW, 12KW, 14KW, 16KW** AUX-HPWH32MB-8/I, AUX-HPWH32MB-10/I, AUX-HPWH32MB-12/I, AUX-HPWH32MB-14/I, AUX-HPWH32MB-16/I,

