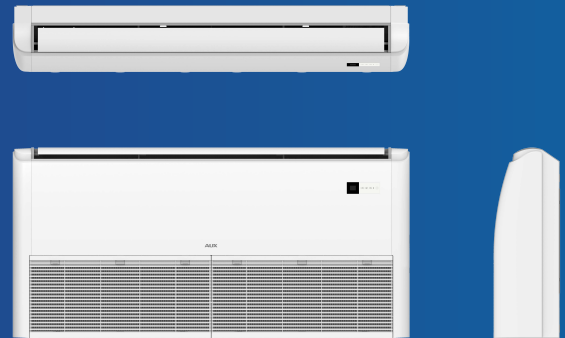


ARV Indoor Units Ceiling & Floor



Vertical or Horizontal Installation

Ideal for commercial buildings, the flexible choice of installation allows for use in rooms without false ceilings. The indoor unit may be floor-mounted, on a wall or fixed to the ceiling, depending on user requirements.



Modern Design of Unit

Efficient, versatile units that, thanks to their compact dimensions and flexible installation options, will work perfectly in both commercial and residential spaces providing a high level of comfort in every corner of the a room.



Fresh Air Intake

The ceiling & floor unit accepts a fresh air inlet allowing the units to draw fresh air from outside



3D Airflow

The unit has horizontal swing and auto vertical swing function, which supplies more even and comfortable air flow.



Long Distance Airflow

Air Supply distance is up to 14m, meeting requirements for large spaces.



Optional Formaldehyde Filter

The unit can be fitted with an optional formaldehyde filter, providing an added layer of indoor air quality protection by removing harmful air pollutants found in building materials, furniture and other household products.



Easy Installation

The unit has provisions for easy installation including easy adjustment up and down to suit user and space requirements.



Anti-Condensation Features

The anti-condensation features has unique air outlets, thermal insulation, and air guide strip designs, extend non-condensing dew time from 4 to 6 hours, effectively preventing moisture-related issues.

ARV Indoor Units Ceiling & Floor Type



Specifications

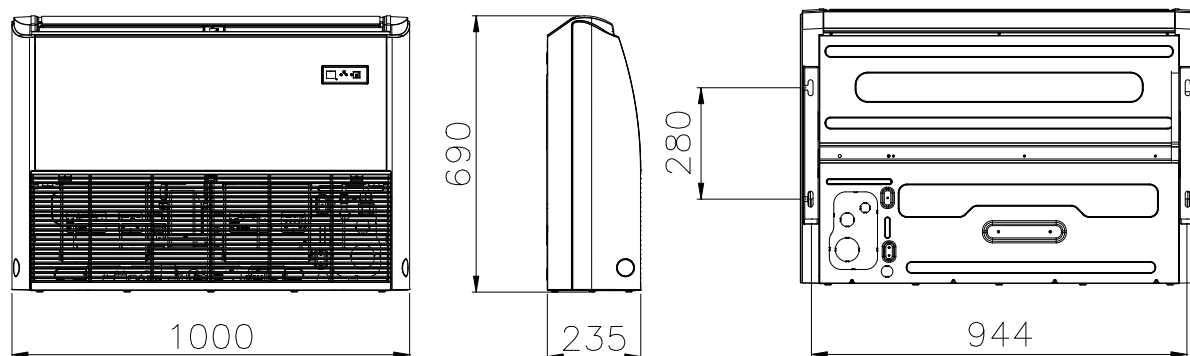
BMS Connectivity | Voice Activation Module | Type L Remote Controller | XK-05 Wired Controller Optional | Central Controller Optional | WiFi Controller Optional

Model			ARVCF-H45/NR1DF	ARVCF-H56/NR1DF	ARVCF-H71/NR1DF	ARVCF-H80/NR1DF
Power Supply		V~,Hz,Ph	220-240V,50/60,1	220-240V,50/60,1	220-240V,50/60,1	220-240V,50/60,1
Capacity	Cooling	kW	4.5	5.6	7.1	8.0
	Heating	kW	5.0	6.3	8.0	9.0
Indoor Fan Motor	Brand		WOLONG	WOLONG	WOLONG	WOLONG
	Output Power	W	40	40	40	70
	Speed (Tu/Hi/Mi/Lo)	r/min	1000/950/790/730/69	1000/950/790/730/69	1000/950/790/730/69	1050/1000/860/800/7
Indoor Coil	Number Of Row		3	3	3	3
	Fin Material		Hydrophilic	Hydrophilic	Hydrophilic	Hydrophilic
	Tube Outside Dia.	mm	φ7,Inner grooved	φ7,Inner grooved	φ7,Inner grooved	φ7,Inner grooved
Indoor Unit	Indoor Air Flow (Tu/Hi/Mi/Lo)	m ³ /h	940/895/700/650/60	940/895/700/650/60	940/895/700/650/60	1300/1245/1020/930/
	Noise Level(Hi/Mi/Lo)	dB(A)	42/41/38/37/36	42/41/38/37/36	42/41/38/37/36	43/42/39/38/37
	Net Dimension (W×D×H)	mm	1000×690×235	1000×690×235	1000×690×235	1280×690×235
	Packing Dimension (W×D×H)	mm	1080×770×325	1080×770×325	1080×770×325	1360×770×325
	Net Weight	Kg	29	29	29	35.5
	Gross Weight	Kg	33.5	33.5	33.5	41
	Refrigerant Pipe	Liquid Side	mm	6.35(1/4)	6.35(1/4)	6.35(1/4)
Gas Side		mm	12.7(1/2)	12.7(1/2)	12.7(1/2)	15.88(5/8)
Drainage		mm	R3/4in(DN20)	R3/4in(DN20)	R3/4in(DN20)	R3/4in(DN20)
Operation Temperature Range		°C	16~32	16~32	16~32	16~32
Application Area		m ²	20~35	25~45	30~50	35~55
Wiring specification	Power Wiring (Indoor)	mm ²	3×1.5	3×1.5	3×1.5	3×1.5
	A B Signal Wiring (IDU&ODU)	mm ²	2×0.5	2×0.5	2×0.5	2×0.5

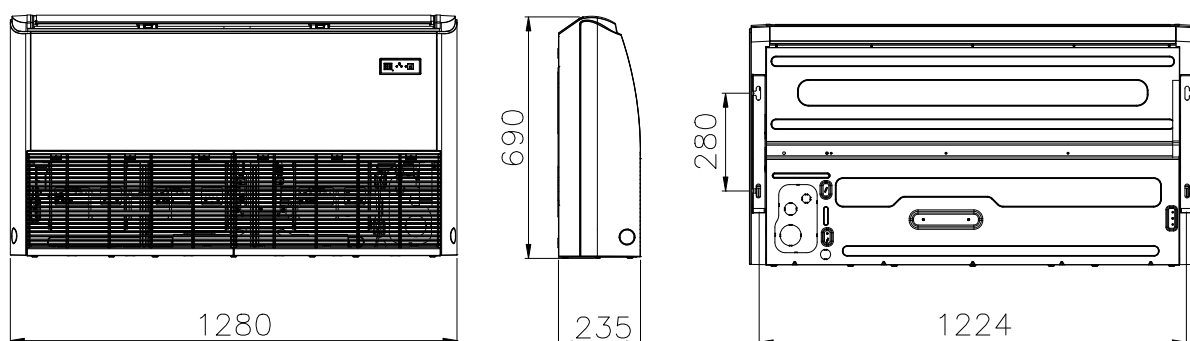
Model			ARVCF-H90/NR1DF	ARVCF-H112/NR1DF	ARVCF-H125/NR1DF	ARVCF-H140/NR1DF
Power Supply		V~,Hz,Ph	220-240V,50/60,1	220-240V,50/60,1	220-240V,50/60,1	220-240V,50/60,1
Capacity	Cooling	kW	9.0	11.2	12.5	14.0
	Heating	kW	11.0	12.8	14.0	15.0
Indoor Fan Motor	Brand		WOLONG	WOLONG	WOLONG	WOLONG
	Output Power	W	70	120	120	120
	Speed (Tu/Hi/Mi/Lo)	r/min	1050/1000/860/800/7	1300/1250/1080/960/	1300/1250/1080/960/	1300/1250/1080/960/
Indoor Coil	Number Of Row		3	3	3	3
	Fin Material		Hydrophilic	Hydrophilic	Hydrophilic	Hydrophilic
	Tube Outside Dia.	mm	φ7,Inner grooved	φ7,Inner grooved	φ7,Inner grooved	φ7,Inner grooved
Indoor Unit	Indoor Air Flow (Tu/Hi/Mi/Lo)	m ³ /h	1300/1245/1020/930/840	2040/1890/1740/1560	2040/1890/1740/1560	2040/1890/1740/1560
	Noise Level(Hi/Mi/Lo)	dB(A)	43/42/39/38/37	50/49/45/43/41	50/49/45/43/41	50/49/45/43/41
	Net Dimension (W×D×H)	mm	1280×690×235	1600×690×235	1600×690×235	1600×690×235
	Packing Dimension (W×D×H)	mm	1360×770×325	1680×770×325	1680×770×325	1680×770×325
	Net Weight	Kg	35.5	42	42	42
	Gross Weight	Kg	41	49	49	49
	Refrigerant Pipe	Liquid Side	mm	9.52(3/8)	9.52(3/8)	9.52(3/8)
Gas Side		mm	15.88(5/8)	15.88(5/8)	15.88(5/8)	15.88(5/8)
Drainage		mm	R3/4in(DN20)	R3/4in(DN20)	R3/4in(DN20)	R3/4in(DN20)
Operation Temperature Range		°C	16~32	16~32	16~32	16~32
Application Area		m ²	40~60	50~75	50~90	60~100
Wiring specification	Power Wiring (Indoor)	mm ²	3×1.5	3×1.5	3×1.5	3×1.5
	A B Signal Wiring (IDU&ODU)	mm ²	2×0.5	2×0.5	2×0.5	2×0.5

Dimensions

— 4.5KW, 5.6KW, 7.1KW AUX-WM-45ARV, AUX-WM-56ARV/I, AUX-WM-71ARV/I



— 8.0KW, 9.0KW AUX-WM-80ARV/I, AUX-WM-90ARV/I



— 11.2KW, 12.5KW, 14.0KW AUX-WM-112ARV/I, AUX-WM-125ARV/I, AUX-WM-140ARV/I

