

ARV Indoor Series Cassette Roundflow



360 Degree Airflow

The AUX cassette AC's panel design ensures uniform cooling. Corner outlets distribute air evenly, eliminating temperature variations. Perimeter airflow cools large spaces efficiently with 360° circulation.



Modern Design of Unit

Efficient, versatile units that, thanks to their compact dimensions and flexible installation options, will work perfectly in both commercial and residential spaces providing a high level of comfort in every corner of the a room.



Long Distance Airflow

The Cassette has added static pressure for long airflow delivery and is capable of being used in spaces up to 4m in floor height.



Fresh Air Intake

The cassette unit accepts a fresh air inlet allowing it to draw fresh air from outside, for improved comfort and health.



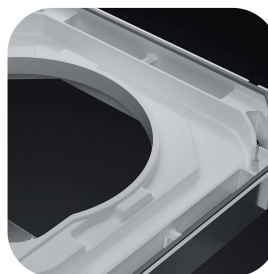
Built-in Drain Pump

The built-in drain pump can lift condensing water up to 1200mm high from the drainage pan.



Easy Maintenance

Easy removal of fan cover, fan axel and the fan motor for cleaning and maintenance of essential equipment.



Upgraded Water Pan

The cassette-type water pan has been enhanced with a 1.5mm thick plastic construction, featuring anti-collision, anti-leakage properties and increased water storage capacity by 30% for improved durability and reliability.



Enhanced Structural Bionic Design

The chassis incorporates an enhanced structural bionic design, significantly diminishing self-vibration and achieving a noise reduction of 15%.

ARV Indoor Series Cassette Roundflow



BMS
Connectivity

Voice Activation
Module

Type L
Remote Controller

XK-05 Wired
Controller Optional

Central Controller
Optional

WiFi Controller
Optional

Compact Type Specifications

Model			ARVCA-H28/NR1DYBA	ARVCA-H36/NR1DYBA	ARVCA-H45/NR1DYBA	ARVCA-H56/NR1DYBA
Power Supply		V~, Hz, Ph	220~240, 50(60), 1	220~240, 50(60), 1	220~240, 50(60), 1	220~240, 50(60), 1
Capacity	Cooling	kW	2.8	3.6	4.5	5.6
	Heating	kW	3.0	4.3	5.0	6.3
Indoor Fan Motor	Brand		Panasonic	Panasonic	Panasonic	Panasonic
	Output Power	W	30	30	30	30
	Speed (Tu/Hi/Mi/Lo)	r/min	790/750/710/630	810/790/730/650	840/810/730/670	890/840/750/690
Indoor Coil	Number Of Row		2	2	2	2
	Fin Material		Hydrophilic alu.	Hydrophilic alu.	Hydrophilic alu.	Hydrophilic alu.
	Tube Outside Dia.	mm	φ7, Inner grooved	φ7, Inner grooved	φ7, Inner grooved	φ7, Inner grooved
Indoor Unit	Indoor Air Flow (Tu/Hi/Mi/Lo)	m ³ /h	700/670/640/570	740/700/660/590	760/740/660/600	800/760/680/620
	Noise Level(Tu/Hi/Mi/Lo)	dB(A)	42/40/38/36	43/41/39/37	44/42/40/37	45/43/40/38
	Net Dimension (W×D×H)	mm	570×570×260	570×570×260	570×570×260	570×570×260
	Packing Dimension (W×D×H)	mm	720×650×290	720×650×290	720×650×290	720×650×290
	Net Weight	Kg	15.5	15.5	15.5	15.5
	Gross Weight	Kg	18.5	18.5	18.5	18.5
Panel	Net Dimension (W×D×H)	mm	650x650x55	650x650x55	650x650x55	650x650x55
	Packing Dimension (W×D×H)	mm	710x710x80	710x710x80	710x710x80	710x710x80
	Net Weight	Kg	2.2	2.2	2.2	2.2
	Gross Weight	Kg	3.7	3.7	3.7	3.7
Refrigerant Pipe	Liquid Side	mm	6.35	6.35	6.35	6.35
	Gas Side	mm	12.7	12.7	12.7	12.7
	Drainage	mm	R3/4in(DN20)	R3/4in(DN20)	R3/4in(DN20)	R3/4in(DN20)
Operation Temperature Range		°C	16~32	16~32	16~32	16~32
Application Area		m ²	10~25	15~30	20~35	25~45
Wiring specification	Power Wiring (Indoor)	mm ²	3×1.5	3×1.5	3×1.5	3×1.5
	A B Signal Wiring (IDU&ODU)	mm ²	2×0.5	2×0.5	2×0.5	2×0.5

ARV Indoor Series Cassette Roundflow



BMS
Connectivity

Voice Activation
Module

Type L
Remote Controller

XK-05 Wired
Controller Optional

Central Controller
Optional

WiFi Controller
Optional

Specifications

Model	Indoor Panel		ARVCA-H63/NR1DYB MB08	ARVCA-H71/NR1DYB MB08	ARVCA-H80/NR1DYB MB08	ARVCA-H90/NR1DYB MB08	ARVCA-H100/NR1DYB MB08
Power Supply		V~,Hz,Ph	220~240,50(60),1	220~240,50(60),1	220~240,50(60),1	220~240,50(60),1	220~240,50(60),1
Capacity	Cooling	kW	6.3	7.1	8.0	9.0	10.0
	Heating	kW	7.1	8.5	9.5	10.0	11.2
Indoor Fan Motor	Brand		Panasonic	Panasonic	Panasonic	Panasonic	Panasonic
	Output Power	W	57	57	57	57	120
	Speed (Hi/Mi/Lo)	r/min	590/510/450	590/510/450	590/510/450	590/510/450	710/630/570
Indoor Coil	Number Of Row		2	2	2	2	2
	Fin Material		Hydrophilic alu.	Hydrophilic alu.	Hydrophilic alu.	Hydrophilic alu.	Hydrophilic alu.
	Tube Outside Dia.	mm	φ5, Inner grooved	φ5, Inner grooved	φ5, Inner grooved	φ5, Inner grooved	φ5, Inner grooved
Indoor Unit	Indoor Air Flow (Hi/Mi/Lo)	m ³ /h	1250/1040/910	1250/1040/910	1250/1040/910	1250/1040/910	1800/1440/1260
	Noise Level(Hi/Mi/Lo)	dB(A)	38/34/30	38/34/30	38/34/30	38/34/30	44/42/40
	Net Dimension (W×D×H)	mm	840x840x246	840x840x246	840x840x246	840x840x246	840×840×288
	Packing Dimension (W×D×H)	mm	915×915×315	915×915×315	915×915×315	915×915×315	915×915×355
	Net Weight	Kg	24.5	24.5	24.5	24.5	27
	Gross Weight	Kg	28.5	28.5	28.5	28.5	31
Panel	Net Dimension (W×D×H)	mm	950x950x55	950x950x55	950x950x55	950x950x55	950x950x55
	Packing Dimension (W×D×H)	mm	1000x1000x100	1000x1000x100	1000x1000x100	1000x1000x100	1000x1000x100
	Net Weight	Kg	5.7	5.7	5.7	5.7	5.7
	Gross Weight	Kg	8.3	8.3	8.3	8.3	8.3
Refrigerant Pipe	Liquid Side	mm	9.52	9.52	9.52	9.52	9.52
	Gas Side	mm	15.88	15.88	15.88	15.88	15.88
	Drainage	mm	R3/4in(DN20)	R3/4in(DN20)	R3/4in(DN20)	R3/4in(DN20)	R3/4in(DN20)
Operation Temperature Range		°C	16~32	16~32	16~32	16~32	16~32
Application Area		m ²	30~50	30~50	35~55	40~60	45~65
Wiring specification	Power Wiring (Indoor)	mm ²	3×1.5	3×1.5	3×1.5	3×1.5	3×1.5
	A B Signal Wiring (IDU&ODU)	mm ²	2×0.5	2×0.5	2×0.5	2×0.5	2×0.5

ARV Indoor Series Cassette Roundflow



Specifications

BMS
Connectivity

Voice Activation
Module

Type L
Remote Controller

XK-05 Wired
Controller Optional

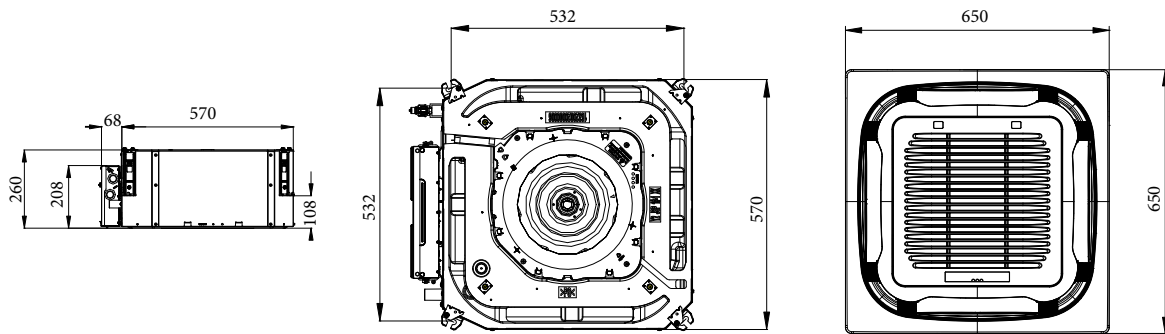
Central Controller
Optional

WiFi Controller
Optional

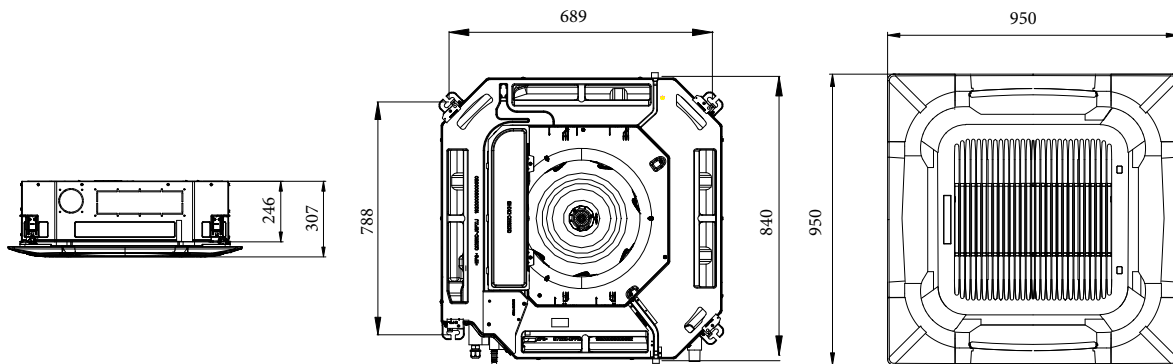
Model	Indoor Panel		ARVCA-H112/NR1DYB MB08	ARVCA-H125/NR1DYB MB08	ARVCA-H140/NR1DYAB MB08	ARVCA-H140/NR1DYB MB08
Power Supply		V~,Hz,Ph	220~240,50(60),1	220~240,50(60),1	220~240,50(60),1	220~240,50(60),1
Capacity	Cooling	kW	11.2	12.5	14.0	14.0
	Heating	kW	13.0	14.0	15.0	16.0
Indoor Fan Motor	Brand		Panasonic	Panasonic	Panasonic	Panasonic
	Output Power	W	120	120	120	127
	Speed (Hi/Mi/Lo)	r/min	710/630/570	710/630/570	710/630/570	710/630/570
Indoor Coil	Number Of Row		2	2	2	3
	Fin Material		Hydrophilic alu.	Hydrophilic alu.	Hydrophilic alu.	Hydrophilic alu.
	Tube Outside Dia.	mm	φ5, Inner grooved	φ5, Inner grooved	φ5, Inner grooved	φ7, Inner grooved
Indoor Unit	Indoor Air Flow (Hi/Mi/Lo)	m ³ /h	1800/1440/1260	1800/1440/1260	1800/1440/1260	1800/1440/1260
	Noise Level(Hi/Mi/Lo)	dB(A)	44/42/40	44/42/40	46/43/41	46/43/41
	Net Dimension (W×D×H)	mm	840×840×288	840×840×288	840×840×288	840×840×288
	Packing Dimension (W×D×H)	mm	915×915×355	915×915×355	915×915×355	915×915×355
	Net Weight	Kg	27	27	27	30.5
	Gross Weight	Kg	31	31	31	34.5
Panel	Net Dimension (W×D×H)	mm	950×950×55	950×950×55	950×950×55	950×950×55
	Packing Dimension (W×D×H)	mm	1000×1000×100	1000×1000×100	1000×1000×100	1000×1000×100
	Net Weight	Kg	5.7	5.7	5.7	5.7
	Gross Weight	Kg	8.3	8.3	8.3	8.3
Refrigerant Pipe	Liquid Side	mm	9.52	9.52	9.52	9.52
	Gas Side	mm	15.88	15.88	15.88	15.88
	Drainage	mm	R3/4in(DN20)	R3/4in(DN20)	R3/4in(DN20)	R3/4in(DN20)
Operation Temperature Range		°C	16~32	16~32	16~32	16~32
Application Area		m ²	50~75	50~90	60~100	60~100
Wiring specification	Power Wiring (Indoor)	mm ²	3×1.5	3×1.5	3×1.5	3×1.5
	A B Signal Wiring (IDU&ODU)	mm ²	2×0.5	2×0.5	2×0.5	2×0.5

Dimensions

__ 2.8KW,3.6KW, 4.5KW, 5.6KW AUX-C-28ARV/I, AUX-C-36ARV/I, AUX-C-45ARV/I, AUX-C-56ARV/I



__ 6.3KW,7.1KW,8.0KW,9.0KW AUX-C-63ARV/I, AUX-C-71ARV/I, AUX-C-80ARV/I, AUX-C-90ARV/I



__ 10.0KW,11.2KW,12.5KW,14.0KW AUX-C-100ARV/I, AUX-C-112ARV/I, AUX-C-125ARV/I, AUX-C-140ARV/I

