

Multi System Outdoor Units 14000 - 42000 BTU



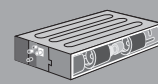
Connect up to
5 units on 1 outdoor unit

Connect any
Combination:

Cassette Type



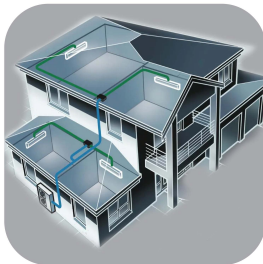
Low Static Duct Type



Ceiling & Floor



Wall Mounted



Connect 2 to 5 Units on 1 Outdoor Unit

The multi-split AUX system connects 2 to 5 indoor units to a single outdoor unit, reducing the need for multiple outdoor units. This saves space on building exteriors like facades, roofs, and balconies.



Improve Building Facade with less Units

The number of outdoor units is reduced in comparison with single split systems offering significant space saving on building facades, roofs or balconies.



Flexible Design Choices

Wide variety of indoor units provides flexibility according to room design or use. System can be expanded to add more units at another time if required.



Energy Efficiency

AUX commercial systems feature high-efficiency All DC inverter components, and advanced control technology for reliable and energy-efficient operation.



High Quality Compressor

AUX collaborates with leading compressor manufacturers worldwide to incorporate top-quality components, like inverter compressors, in its AC units, ensuring reliable performance and energy efficiency.



Wide Temperature Operation

AUX multi-split AC systems offer dependable operation in extreme temperatures (-15°C to 52°C in cooling, -22°C to 24°C in heating) for year-round comfort, thanks to modern tech and quality components.



Intelligent Defrosting

Multi System activates defrost mode as needed, minimizing interruptions to heating. The intelligent system improves energy efficiency by 5% and boosts heating efficiency by up to 20% in low outdoor temperatures.



Triple Guard Protection

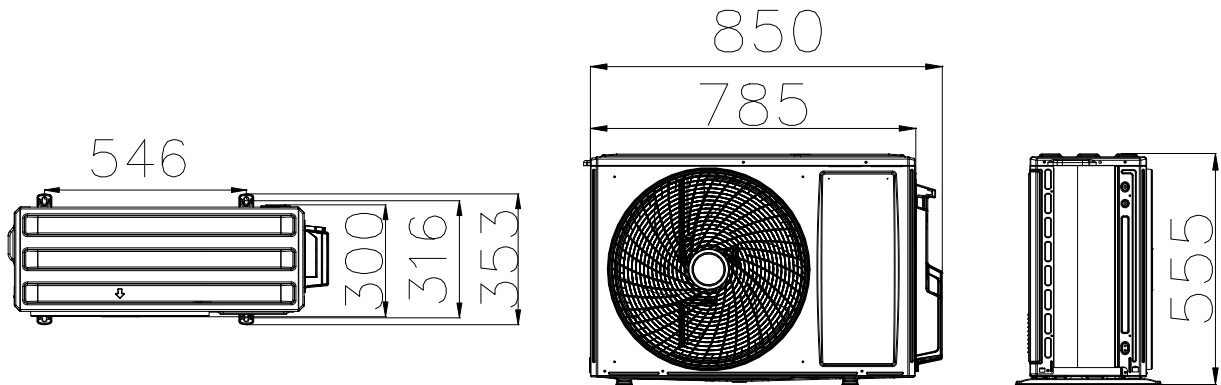
Multiple protective layers on the outdoor unit's casing protect it from various environmental factors also maintaining its aesthetic appeal.

Specifications

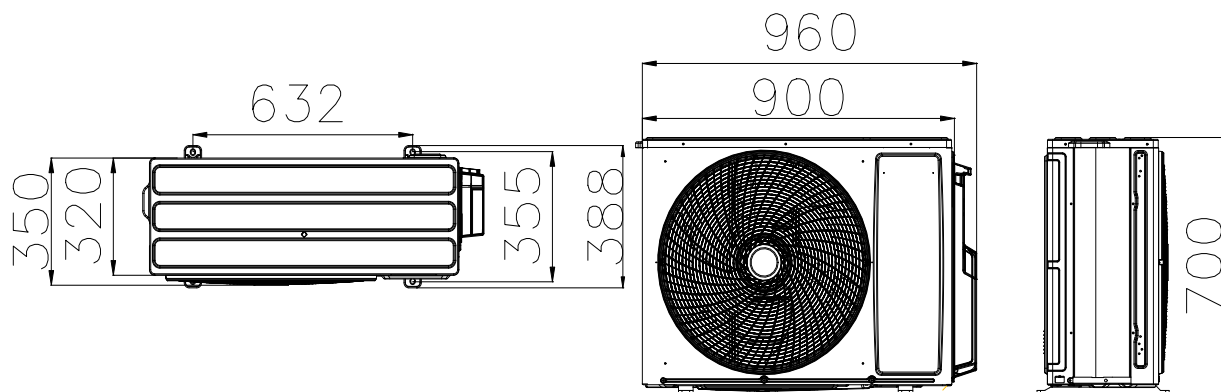
Model Size			14K	18K	21K	27K	36K	42K	
Model			AM2-H14/4DR3C	AM2-H18/4DR3C	AM3-H21/4DR3C	AM3-H27/4DR3C	AM4-H36/4DR3	AM5-H42/4DR3	
System Format			1 drive 2	1 drive 2	1 drive 3	1 drive 3	1 drive 4	1 drive 5	
Capacity	Cooling	Btu/h	13989 (6142-15388)	18084 (6824-19892)	21154 (7506-22895)	26955 (7848-29650)	35826 (8530-37532)	40944 (9451-43332)	
		kW	4.1(1.8-4.51)	5.3(2.0-5.83)	6.2(2.2-6.71)	7.9(2.3-8.69)	10.50(2.5-11.0)	12(2.77-12.7)	
	Heating	Btu/h	15354 (6995-18015)	19107 (7541-21017)	22519 (8155-24771)	27978 (8359-30776)	37532 (9110-38214)	44356 (10100-44800)	
		kW	4.5(2.05-5.28)	5.6(2.21-6.16)	6.6(2.39-7.26)	8.2(2.45-9.02)	11.00(2.67-11.2)	13(2.96-13.1)	
	Electric Data	Power Supply	V~,Hz,Ph	220~240,50,1	220~240,50,1	220~240,50,1	220~240,50,1	220~240,50,1	220~240,50,1
		Cooling Power Input	W	1240(198-2100)	1640(280-2300)	1920 (350-2800)	2440 (560-3400)	3950(680-4930)	4450(750-5450)
Heating Power Input		W	1150(198-2100)	1480(280-2300)	1780 (350-2800)	2210 (560-3400)	3150(530-3850)	3750(600-4350)	
Rated Current		A	5.39/5.00	7.13/6.43	8.35/7.74	10.61/9.61	17.5/13.96	19.72/16.62	
Max current		A	12	13	14	16.5	23.5	24.5	
Max power		KW	2.76	3	3	3.8	5.3	5.6	
DC Inv. Compressor	SEER/SCOP	W/W	6.15/4.12(F)	6.13/4.09(F)	6.13/4.19(F)	6.19/4.08(F)	6.15/4.12(F)	6.14/4.04(F)	
	SEER/SCOP	W/W	6.18/4.13(J)	6.14/4.04(J)	6.13/4.2(J)	6.14/4.16(J)	6.15/4.09(J)	6.14/4.04(J)	
	SEER/SCOP	W/W	6.12/4.15(H)	6.18/4.05(H)	6.13/4.2(H)	6.19/4.08(H)	6.15/4.09(H)	6.14/4.04(H)	
	Energy Rate		A++/A+	A++/A+	A++/A+	A++/A+	A++/A+	A++/A+	
	EER/COP	W/W	3.31/3.91	3.23/3.78	3.23/3.71	3.23/3.71	2.66/3.49	2.70/3.47	
	Type		Rotary	Rotary	Rotary	Rotary	Rotary	Rotary	
Outdoor DC Inverter Fan Motor	Brand		GMCC	GMCC	GMCC	GMCC	GMCC	GMCC	
	Input	W	758	1100	1100	2050	2765	2765	
	Operating Frequency	Hz	60	60	60	60	60	60	
	Frequency Range		10-120Hz	10-120Hz	10-120Hz	12~120 Hz	12~120 Hz	12~120 Hz	
	Type		DC Inverter	DC Inverter	DC Inverter	DC Inverter	DC Inverter	DC Inverter	
Outdoor Coil	Brand		jingma	jingma	jingma	jingma	WOLONG	WOLONG	
	Output Power	W	40	40	65	65	120	120	
	Speed	r/min	900	900	850	850	940	940	
Air Flow Volume	Number Of Row		2	2	1.5	2	3	3	
	Fin Material		Hydrophilic alu. fin	Hydrophilic alu. fin	Hydrophilic alu. fin	Hydrophilic alu. fin	Hydrophilic alu. fin	Hydrophilic alu. fin	
Noise Level	Tube Outside Dia.	mm	φ7, Inner grooved	φ7, Inner grooved	φ7, Inner grooved	φ7, Inner grooved	φ7, Inner grooved	φ7, Inner grooved	
	Sound Pressure Noise Level	dB(A)	53	54	56	57	61	61	
Dimension	Sound Power Noise Level	dB(A)	63	64	66	67	68	68	
	Net Dimension (W*D*H)	mm	785×300×555	785×300×555	900×350×700	900×350×700	985×395×808	985×395×808	
Weight	Packing Dimension (W*D*H)	mm	900×380×615	900×380×615	1015×415×755	1015×415×755	1105×495×895	1105×495×895	
	Net	kg	30	30	41.5	44.5	74	75	
Refrigerant type/Quantity	Gross	kg	32.5	32.5	45	48	78	79	
	Type		R32	R32	R32	R32	R32	R32	
Piping	Charged Volume	kg	1	1.03	1.15	1.45	2.3	2.3	
	Additional charge	(g/m)	25	25	25	25	25	25	
	Liquid Side	mm (in)	2×6.35(1/4)	2×6.35(1/4)	3×6.35(1/4)	3×6.35(1/4)	4×6.35(1/4)	5×6.35(1/4)	
	Gas Side	mm (in)	2×9.52(3/8)	2×9.52(3/8)	3×9.52(3/8)	3×9.52(3/8)	4×9.52(3/8)	5×9.52(3/8)	
	Max. length for all rooms (m)	m	40	40	60	60	80	80	
	Max. length for one IDU (m)	m	25	25	30	30	35	35	
	Max height dif. IDU and OU	m	15	15	15	15	15	15	
Ambient Temp (Cooling/Heating)	Max. height dif. IDUs	m	10	10	10	10	10		
Specification of Wiring	Power Wiring (IDU)	mm ²	3.x1.5	3.x1.5	3.x1.5	3.x1.5	3.x1.5	3.x1.5	
	Power Wiring (ODU)	mm ²	3x2.5	3x2.5	3x2.5	3x2.5	3x4	3x4	
	Wiring (IDU&ODU)	mm ²	4x1.5	4x1.5	4x1.5	4x1.5	4x1.5	4x1.5	
	Signal Wiring (IDU&ODU)	mm ²	1x1.5	1x1.5	1x1.5	1x1.5	1x1.5	1x1.5	

Dimensions

—14K,18K AUX-MU-14CAC/O, AUX-MU-18CAC/O



—21K,27K AUX-MU-21CAC/O, AUX-MU-27CAC/O



—36K,42K AUX-MU-36CAC/O, AUX-MU-42CAC/O

