

### Free Match Slim Low Static Duct 0 - 30 Pa



Universal for:



Single Split System

Multi Split System



#### Ultra Slim Design - 200mm height.

Thanks to its exceptionally flat construction, AUX ducted units are well-suited for spaces with limited installation space. The low housing height of only 200 mm allows for unit installation even in low-ceiling spaces.



#### Discreet Installation

Efficient and discreet units, providing the greatest freedom in installation design. Thanks to their exceptionally flat housing construction, they are suitable even in low-ceiling spaces.



#### Low Noise Operation

The fan speed and the amount of supplied air are automatically adjusted to the length of the ventilation duct, so as to provide a constant air flow regardless of the length of the pipework, minimising unnecessary noise from static pressure.



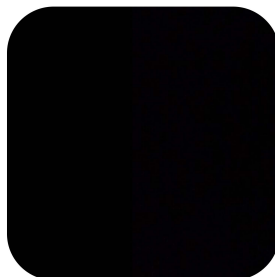
#### Built-In Drain Pump

The built-in drain pump can lift condensing water up to 1200mm high from the drainage pan.



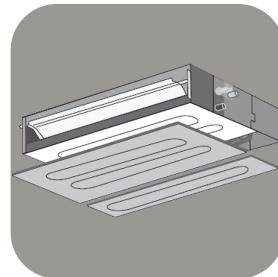
#### Fresh Air Intake

The ceiling concealed unit accepts a fresh air inlet allowing it to draw fresh air from outside, for improved comfort and health.



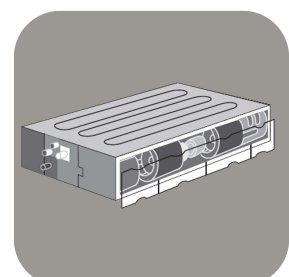
#### Automatic ESP Regulation

Automatic ESP adjustment function guarantees comfortable cooling and heating at all times, regardless of the length of the ducts.



#### Easy Maintenance - Removable Panel

Simple structure ensuring that service and maintenance is carried out effectively & efficiently.



#### Easy Maintenance - Filter Removal

Filter removal is easily removed without screws.

# Free Match Slim Low-Static Duct Type



## Specifications

BMS  
Connectivity

Voice  
Activation  
Module

Type L  
Remote  
Controller

XK-05 Wired  
Controller  
**Standard**

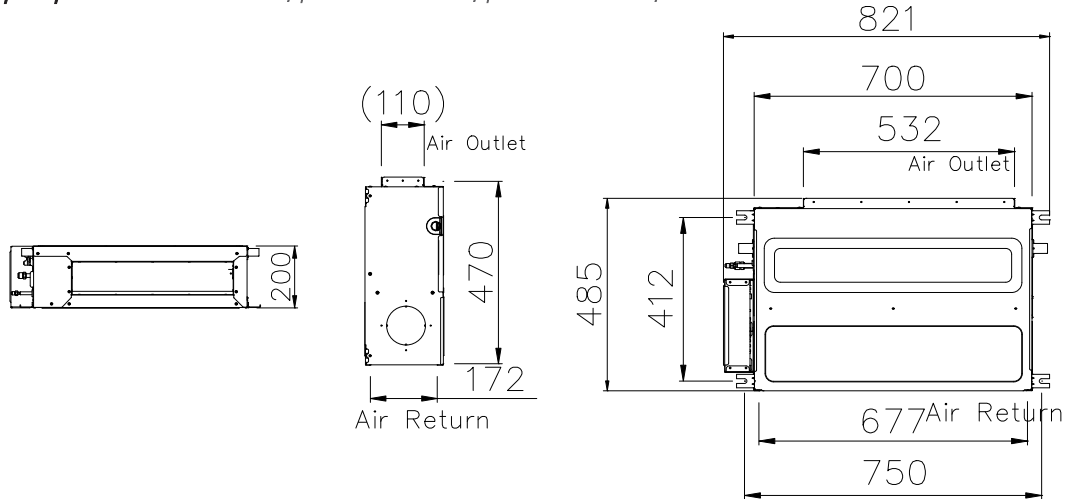
Central  
Controller  
**Optional**

WiFi  
Controller  
**Optional**

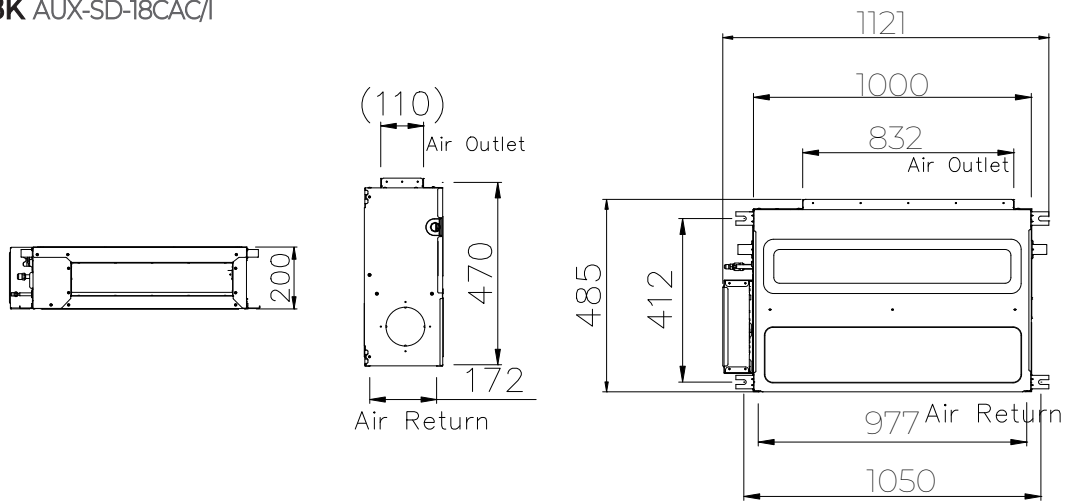
Model		Indoor	AMSD- H07/4R3AA	AMSD- H09/4R3AA	AMSD- H12/4R3AA	AMSD- H18/4R3AA	AMSD- H24/4R3AA
Capacity	Cooling	Btu/h	7506 (3855-9220)	8872 (5120-12115)	12280 (5835-13135)	17400 (8530-19790)	24225 (11846-25436)
		kW	2.20(1.13-2.70)	2.60(1.50-3.55)	3.60(1.71-3.85)	5.10(2.50-5.80)	7.10(3.47-7.55)
	Heating	Btu/h	8530 (4575-10820)	9895 (5800-12450)	13650 (6480-13375)	19790 (9690-21835)	25590 (12513-26869)
		kW	2.50(1.34-3.17)	2.90(1.70-3.65)	4.00(1.90-3.92)	5.80(2.84-6.40)	7.50(3.67-7.88)
Electric Data	Power Supply	V~,Hz,Ph	220~240,50,1	220~240,50,1	220~240,50,1	220~240,50,1	220~240,50,1
	Cooling Power Input	W	55	55	55	75	90
	Heating Power Input	W	55	55	55	75	90
Fan Motor	Brand		KAIBANG	KAIBANG	KAIBANG	KAIBANG	Panasonic
	Output Power	W	40	40	40	55	65
	Speed (Hi/Mi/Lo)	r/min	1020/870/780	1020/870/780	1050/900/800	1020/870/800	1030/820/740
Indoor Coil	Number Of Row		2	2	2	2	2
	Fin Material		Hydrophilic alu.	Hydrophilic alu.	Hydrophilic alu.	Hydrophilic alu.	Hydrophilic alu.
	Tube Dia.& Material	mm	φ7, Inner grooved	φ7, Inner grooved	φ7, Inner grooved	φ7, Inner grooved	φ7, Inner grooved
Indoor Unit	Air Volume	CFM	353/265/224	353/265/224	400/329/265	506/388/353	676/518/459
		m <sup>3</sup> /h	600/450/380	600/450/380	680/560/450	860/660/600	1150/880/780
	Sound Pressure Noise Level	dB(A)	37/33/30	37/33/30	38/34/31	39/35/33	41/38/36
	Sound Power Noise Level	dB(A)	53	53	53	54	55
	ESP	Pa	10/30	10/30	10/30	10/30	10/30
Dimension	Net Dim (W*D*H)	mm	700×470×200	700×470×200	700×470×200	1000×470×200	1300×470×200
	Packing Dim(W*D*H)	mm	1005×580×275	1005×580×275	1005×580×275	1305×580×275	1610×580×275
Weight	Net	kg	18.5	18.5	18.5	24	29
	Gross	kg	22	22	22	28	33
Refrigerant Type			R32	R32	R32	R32	R32
Pipe Dia	Liquid Side	mm (in)	6.35(1/4)	6.35(1/4)	6.35(1/4)	6.35(1/4)	6.35(1/4)
	Gas Side	mm.(in)	9.52(3/8)	9.52(3/8)	9.52(3/8)	12.7(1/2)	12.7(1/2)
	Drainage	mm	16.5	16.5	16.5	16.5	16.5

## Dimensions

**\_7K, 9K, 12K** AUX-SD-07CAC/I, AUX-SD-09CAC/I, AUX-SD-12CAC/I



**\_18K** AUX-SD-18CAC/I



**\_24K** AUX-SD-24CAC/I

