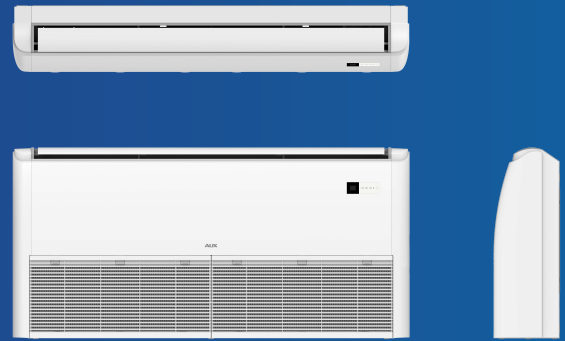


### Free Match Ceiling & Floor



Universal for:



Single Split System    Multi Split System



#### Vertical or Horizontal Installation

Ideal for commercial buildings, the flexible choice of installation allows for use in rooms without false ceilings. The indoor unit may be floor-mounted, on a wall or fixed to the ceiling, depending on user requirements.



#### Modern Design of Unit

Efficient, versatile units that, thanks to their compact dimensions and flexible installation options, will work perfectly in both commercial and residential spaces providing a high level of comfort in every corner of the a room.



#### Fresh Air Intake

The ceiling & floor unit accepts a fresh air inlet allowing the units to draw fresh air from outside



#### 3D Airflow

The unit has horizontal swing and auto vertical swing function, which supplies more even and comfortable air flow.



#### Long Distance Airflow

Air Supply distance is up to 14m, meeting requirements for large spaces.



#### Optional Formaldehyde Filter

The unit can be fitted with an optional formaldehyde filter, providing an added layer of indoor air quality protection by removing harmful air pollutants found in building materials, furniture and other household products.



#### Easy Installation

The unit has provisions for easy installation including easy adjustment up and down to suit user and space requirements.



#### Anti-Condensation Features

The anti-condensation features has unique air outlets, thermal insulation, and air guide strip designs, extend non-condensing dew time from 4 to 6 hours, effectively preventing moisture-related issues.

# Free Match Ceiling & Floor Type



## Specifications

BMS  
Connectivity

Voice  
Activation  
Module

Type L  
Remote  
Controller

XK-05 Wired  
Controller  
**Optional**

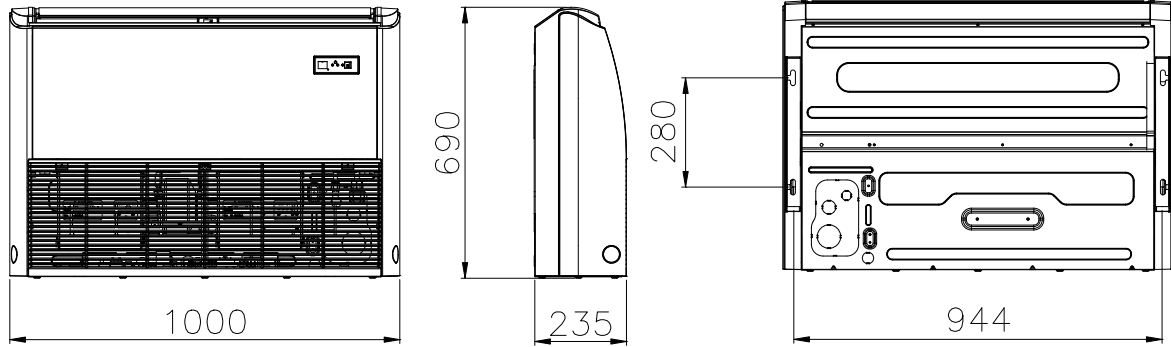
Central  
Controller  
**Optional**

WiFi  
Controller  
**Optional**

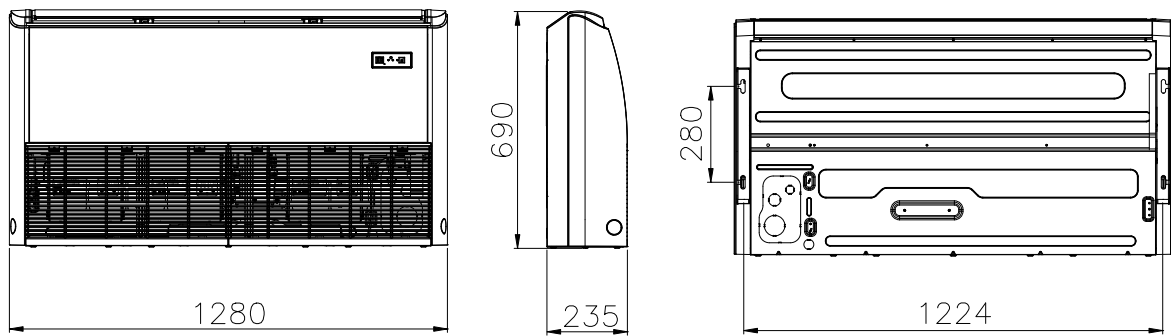
Model			AUCF- H09/4DR3HFA	AUCF- H12/4DR3HFA	AUCF- H18/4DR3HFA	AUCF- H24/4DR3HFA	AUCF- H36/NDR3HFC	AUCF- H48/SDR3HFC
IDU Power Supply		V~,Hz,Ph	220-240/50&60/1	220-240/50&60/1	220-240/50&60/1	220-240/50&60/1	220-240/50&60/1	220-240/50&60/1
Capacity	Cooling	Btu/h	9560 (5120-12115)	12285 (5800-12625)	18000 (5500-20500)	24000 (7400-28000)	36000 (9900-39200)	48000 (16241-49474)
		kW	2.80(1.50-3.55)	3.60(1.70-3.70)	5.3(1.60-6.00)	7.03(2.16-8.20)	10.55(2.90-11.50)	14.00(4.76-14.50)
	Heating	Btu/h	10240 (5460-13000)	13306 (6930-15080)	19450 (4800-24600)	26000 (6800-31700)	38000 (8900-40900)	54600 (16309-56298)
		kW	3.00(1.60-3.81)	3.9(2.03-4.42)	5.7(1.40-7.20)	7.62(1.98-9.30)	11.15(2.60-12.00)	16.00(4.78-16.5)
Electric Data	Rated Cooling Power Input	W	70(20-125)	70(20-125)	1550(480-2300)	2150(670-3300)	3300(710-4200)	5000(1710-5900)
	Rated Heating Power Input	W	70(20-125)	70(20-125)	1520(470-2400)	2050(650-3300)	3000(470-3700)	5100(1710-6050)
	Rated Cooling Current	A	4.02(1.01~6.46)	4.48(1.13~6.96)	6.74(2.09-10.00)	9.34(2.91-14.35)	14.50(3.20-19.50)	8.80(1.50-12.00)
	Rated Heating Current	A	4.00(0.65~6.02)	4.43(0.83~6.57)	6.61(2.04-10.43)	8.91(2.83-14.35)	13.00(2.43-16.00)	8.90(1.50-12.00)
Performance	EER/COP	W/W	3.41/3.73	3.41/3.73	3.42/3.75	3.27/3.72	3.20/3.72	2.8/3.14
	SEER/SCOP	W/W	6.1/4.0	6.1/4.0	6.1/4.0	6.2/4.0	6.1/4.0	6.1/4.0
Indoor Fan Motor	Brand		wolong	wolong	wolong	wolong	wolong	wolong
	Output Power	W	40	40	40	70	120	120
	Speed (Hi/Mi/Lo)	r/min	850/730/ 630	850/730/ 630	950/790/ 690	1000/860/760	1250/1080/ 900	1250/1080/ 900
Indoor Coil	Number Of Row		2.0	2.0	3.0	3.0	3.0	3.0
	Fin Material		Hydrophilic	Hydrophilic	Hydrophilic	Hydrop. Alum. Fin	Hydrop. Alum. Fin	Hydrop. Alum. Fin
	Tube Outside Dia	mm	φ7,Inner grooved	φ7,Inner grooved	φ7,Inner grooved	φ7,Inner grooved	φ5,Inner grooved	φ5,Inner grooved
Indoor Unit	IU Air Flow (Hi/Mi/Lo)	m <sup>3</sup> /h	840/700/580	840/700/580	900/720/600	1230/1020/840	2040/1740/1440	2040/1740/1440
		CFM	494/410/370	494/410/370	530/420/350	724/600/494	1250/1080/900	1250/1080/900
	Noise Level (Hi/Mi/Lo)	dB(A)	40/34/31	40/34/31	40/35/33	42/38/35	50/46/41	50/46/41
	Sound Power Noise Level	dB(A)	55	55	51	52	62	62
	Net Dimension (W*H*D)	mm	1000×690×235	1000×690×235	1000×690×235	1280×690×235	1600×690×235	1600×690×235
	Packing Dimension (W*H*D)	mm	1080×770×325	1080×770×325	1080×770×325	1360×770×325	1680×770×325	1680×770×325
	Gross Weight	Kg	27	27	28	34	39.5	40
Refrigerant Pipe	Liquid Side	mm	Φ6.35	Φ6.35	6.35(1/4)	9.52(3/8)	9.52(3/8)	9.52(3/8)
	Gas Side	mm	Φ12.7	Φ12.7	12.7(1/2)	15.88(5/8)	15.88(5/8)	15.88(5/8)
	Drainage	mm	R3/4in(DN20)	R3/4in(DN20)	R3/4in(DN20)	R3/4in(DN20)	R3/4in(DN20)	R3/4in(DN20)
Remote Controller			YKR-K/001E	YKR-K/001E	YKR-K/001E	YKR-K/001E	YKR-K/001E	YKR-K/001E

## Dimensions

9K, 12K, 18K AUX-CF-09CAC/I, AUX-CF-12CAC/I, AUX-CF-18CAC/I



24K AUX-CF-24CAC/I



36K, 48K AUX-CF-36CAC/I, AUX-CF-48CAC/I

